

H2O XCL™



Distributed by:

Thane Canada Inc.
Mississauga ON L4W 5M6, Canada
www.thane.ca

Thane USA, Inc.
Canton OH 44718, U.S.A.
www.thane.com

Thane Direct UK Limited
3 Acorn Business Centre, Northarbour Road, Portsmouth, PO6 3TH
Phone no 0344 571 7511
Visit our solution centre www.thanehelp.co.uk for help and hints and tips

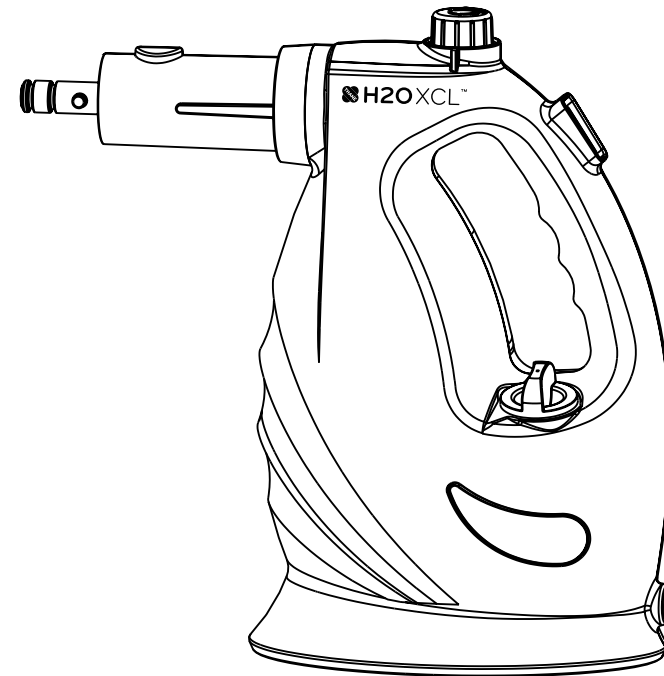
Danoz Direct Pty Ltd.
Bondi Junction, NSW, 2022, Australia
www.danoz.com.au

OPERADORA AINO A SAPI DE CV
Av. Magnocentro No. 5 Piso 1 Centro Urbano Interlomas,
Municipio Huixquilucan de Degollado, Estado de México. C.P: 52760
www.mejorcompratv.com

TVNS Scandinavia AB
SE-211 74 Malmö, Sweden
www.tvns.com

© 2021 Thane IP Limited.
"Thane", "H2O Steam7" and related logos and variations are trademarks
or registered trademarks, in Canada and/or other countries, of Thane IP
Limited and/or its affiliated companies.

MADE IN CHINA



USER'S GUIDE Model No. KB-009D

TABLE OF CONTENTS

IMPORTANT SAFEGUARDS.....	4
TECHNICAL DATA.....	7
KEY FEATURES - MAIN UNIT.....	7
KEY FEATURES - OPTIONAL ACCESSORIES.....	8
INSTRUCTION FOR USE.....	9
OPTIONAL ACCESSORY USAGE.....	10
FOR BEST RESULTS.....	10
WINDOW CLEANING CORAL CLOTH.....	11
GARMENT CLOTH.....	11
ADDITIONAL OPTIONAL ACCESSORY USAGE.....	12
AFTER USE.....	12
CLEANING & MAINTENANCE.....	13
TROUBLESHOOTING GUIDE.....	14
TIPS.....	14

IMPORTANT SAFEGUARDS

PLEASE READ ALL PRODUCT INSTRUCTIONS CAREFULLY. FAILURE TO FOLLOW THE PRODUCT INSTRUCTIONS WILL VOID ANY WARRANTY. USE YOUR H2O XCL™ HANDHELD STEAMER ONLY AS DIRECTED IN THIS MANUAL AND ONLY WITH THE MANUFACTURER'S RECOMMENDED ACCESSORIES. USE OF ATTACHMENTS OR ACCESSORIES NOT PROVIDED OR SOLD BY THE MANUFACTURER OR BY AUTHORIZED RESELLERS MAY CAUSE FIRE, ELECTRIC SHOCK OR INJURY. AS WITH ANY ELECTRICAL APPLIANCE, BASIC PRECAUTIONS SHOULD ALWAYS BE OBSERVED WHEN USING THIS PRODUCT, INCLUDING THE FOLLOWING:

1. Verify that the main voltage indicated on the Rating Plate on this appliance corresponds with the voltage of your electrical outlet.
2. This appliance has a polarized plug (one blade is wider than the other). To reduce the risk of electric shock, this plug is intended to fit in a polarized outlet only one way. If the plug does not fit fully in the outlet, reverse the plug. If it still does not fit, contact a qualified electrician. Do not modify the plug in any way (Only for US version).
3. This appliance is designed for household use only. Do not use outdoors. Commercial use of the H2O XCL™ voids the manufacturer's warranty.
4. Do not leave the H2O XCL™ unattended while plugged in.
5. Close attention is necessary when used near children, pets or plants. Never direct steam towards people, animals or plants, as hot steam emission may cause scalding.
6. Do not allow the H2O XCL™ to be used as a toy. Children should be supervised to ensure that they do not play with this appliance.
7. This appliance is not intended for use by persons with physical, sensory or mental impairments unless they are instructed and supervised during use by an able and experienced adult responsible for their safety.
8. Do not handle the plug or the H2O XCL™ with wet hands or operate without shoes. Do not immerse the H2O XCL™ in water or other liquids. The liquid or steam should not be directed towards equipment containing electrical components, such as the interior of ovens.
9. Do not use this appliance with a damaged cord or plug. If it is not working as it should, or if it has been dropped, damaged, left outdoors, or immersed in water, return it to the distributor. If the supply cord is damaged, it must be replaced by the manufacturer or a qualified repair facility to avoid any hazard.

10. Never force the plug into an outlet or pull or carry the unit by the cord. Do not use the cord as a handle, close a door on the cord or pull the cord around sharp edges or corners. Keep the cord away from heated surfaces.
11. Do not use extension cords or outlets with inadequate current-carrying capacity, and in order to avoid circuit overload, do not operate another appliance on the same socket (circuit) as the H2O XCL™.
12. To disconnect the H2O XCL™ remove the plug from the outlet.
13. Unplug the unit after each use or before servicing. In order to safely unplug the unit, grasp the plug and gently pull. Do not unplug the unit by pulling on the cord.
14. Do not insert any objects into steam openings in the unit or use it with its steam opening blocked.
15. Store your H2O XCL™ indoors in a cool and dry place. Never leave the H2O XCL™ outdoors.
16. Keep your work area well lit and use extra caution when using on stairs.
17. Do not use the unit without water in the Water Tank.
18. Stop using the H2O XCL™ if you observe water leakage, and contact a qualified technician.
19. Never put hot water or liquids such as alcohol-based or detergent products into the Water Tank. This will make operation unsafe and damage the unit.
20. Always keep the steam opening clear of any obstructions. Avoid placing the steam opening on soft surfaces to avoid blocking the flow of steam. Keep the steam opening free from lint, hair and other potential obstructions to ensure proper steam flow.
21. Do not use the H2O XCL™ in spaces that are exposed to flammable, explosive or toxic vapor such as paint thinner or oil-based paint.
22. Do not use on leather, wax-polished furniture or floors, unsealed hardwood or parquet floors, synthetic fabrics, velvet or other delicate steam-sensitive materials.
23. Do not use this appliance for space heating purposes or place it on or near hot surfaces such as a hot gas or electric burner, or in a heated oven.
24. Do not use this appliance for other than its intended use.
25. Do not spray steam on any device that includes electrical components.
26. This appliance and steam nozzle can become hot during use. Before disassembling or replacing the cloth, please disconnect the power supply and wait until the appliance is cooled down.

27. Do not place any cleaning solvent, fragrance or alcohol into the water tank. Otherwise, the appliance could be damaged.
28. Please disconnect the power supply before cleaning this appliance, use a dry or a slightly moistened cotton bud. In case of damages to the appliances appearance, do not use alcohol, benzene or diluent to clean the surface.
29. Please place this appliance in dry interior rooms. Remove the cleaning cloth before storage.
30. This appliance is not intended for any other use or for uses beyond those mentioned here. People who lack the physical or mental capacity or experience should avoid using the product, those mentioned here should not carry out cleaning and user maintenance tasks without supervision.
31. Do not use on non-sealed floors or unglazed bricks.
32. Do not use on polished floors as high temperature of steam may strip the floor finish.
33. When cleaning wooden floors, please test on a small area or consult your wooden floor manufacturers for maintenance instructions to avoid any unnecessary damages.
34. When cleaning wooden floors, do not stay in the same area for an extended period of time, as it may cause deformation and damage the floor surface.



WARNING: Danger of scalding



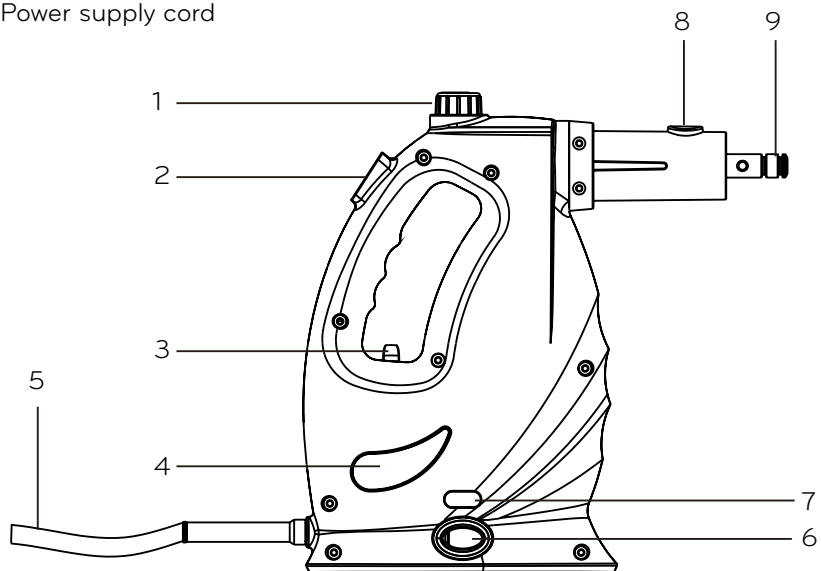
HOT SURFACE

SAVE THESE INSTRUCTIONS

TECHNICAL DATA	
Name	H2O XCL™
Model No.	KB-009D
Rated voltage	120V 60 Hz or 220~240V 50/60 Hz
Rated power	1350W
Water tank capacity	250ml

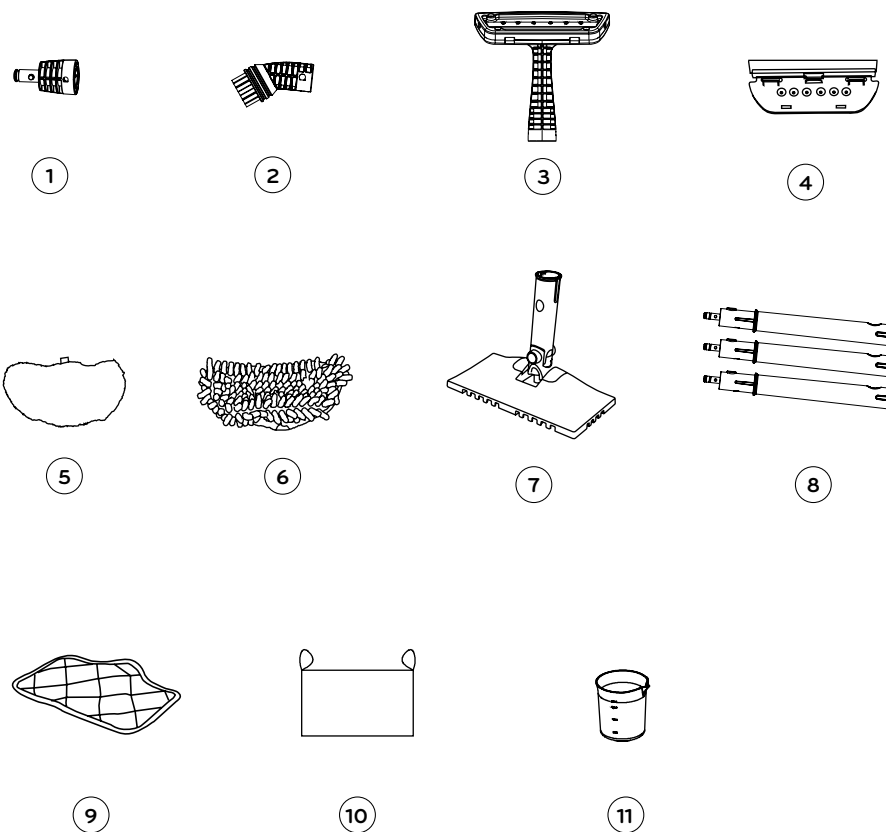
KEY FEATURES - MAIN UNIT

1. Switching knob
2. Steam start/pause button
3. Water tank cap
4. Water tank
5. Power supply cord
6. Power switch
7. Indicator light
8. Locking button
9. Steam outlet



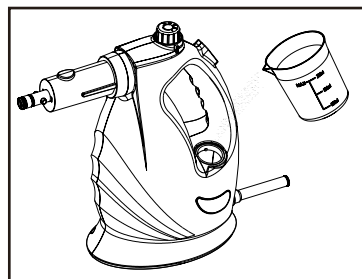
KEY FEATURES - OPTIONAL ACCESSORIES

1. Short Nozzle
2. Round Brush
3. Garment/Window Tool
4. Window Cleaner with Squeegee
5. Garment Cloth
6. Window Cleaner Cloth
7. Mop
8. Mop Extension Pipes
9. Microfibre Mop Cloth
10. Storage Bag
11. Measuring Cup

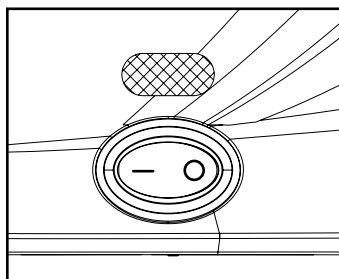


INSTRUCTION FOR USE

1. Make sure unit is unplugged before putting water;
2. Unscrew the water tank cap, and put 250ml of water into the water tank with use of measuring cup; (Fig1)
3. Plug in the unit, and turn ON the unit by pressing the power switch, and red indicator light will start blinking, once it turns steady then unit is ready to use; (Fig2)

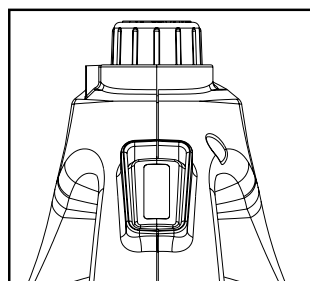


(Fig1)

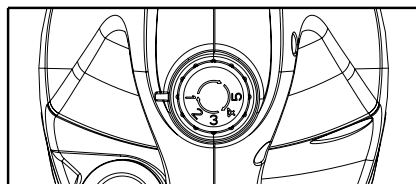


(Fig2)

4. Press the steam button for steam to start or stop, and there is green light in the steam button to indicate once unit starts or stops (Fig3)
5. There are total 5 steam levels, you can turn the switching knob for selecting different steam level as per usage; (Fig4)



(Fig3)

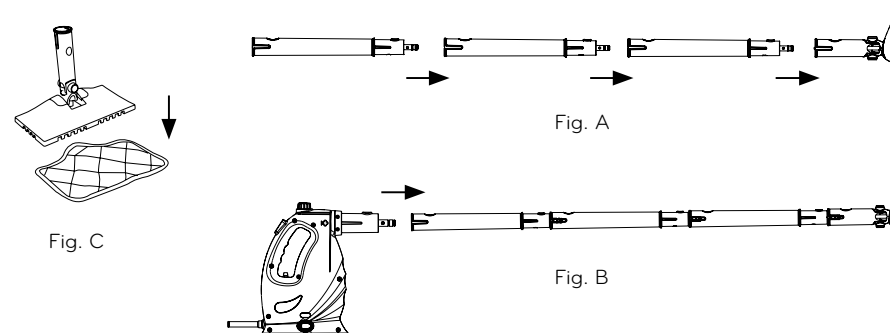


(Fig4)

OPTIONAL ACCESSORY USAGE

Assembling the Mop Accessory

1. Assemble the 3 Extension Pipes by fitting the steam outlet into the opening of the next Extension Pipe and the final Extension Pipe into the Mop Head as indicated in Fig. A.
- Tip:** You can adjust the height of the unit by using 2 Extension Pipes instead of 3.
2. Attach the Extension Pipe to the Steam Outlet of the main unit as shown in Fig. B.
3. Attach the Mop Cloth to the Mop Head by attaching it to the underside of the Mop Head as shown in Fig. C
4. When finished remove the Mop Cloth from the Mop Head and wash as needed.



⚠ WARNING

Before using, make sure the mop has been assembled with Mop Cloth attached to the Mop Head to prevent damage. Notice: This product emits steam and creates moisture.

Water marks, discoloration or damage to the floor surface can occur if the unit is left operating too long in one place. Never leave the H2O XCL™ Handheld Steamer unattended while plugged in.

FOR BEST RESULTS

1. Sweep or vacuum floor prior to using the H2O XCL™ Handheld Steam Cleaner.
2. To avoid puddling of water, the Microfibre Cloth must be clean and dry for use. To replace the cleaning cloth, proceed as follows: Let the cleaning cloth cool down, remove cloth from unit, replace with a new Microfibre Cloth (Optional Item) and continue use.

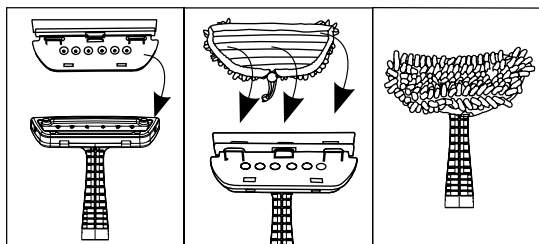
3. To sanitize an area of your floor, leave the H2O XCL™ Handheld Steam Cleaner over the steam area for about 10 seconds, but no longer than 15 seconds. Do not carry out this procedure on heat and steam sensitive floors.
- Never steam at one spot for too long. This can cause floor surface damage.
 - Do not put hands or feet under the steam mop. Unit gets very hot.
 - During use, a pulsing noise may be heard indicating that the mop is producing steam. This noise is normal.
 - There may be some minor "spitting" of water mixed with the steam. This is also normal.
 - The force and heat of the steam may adversely affect certain materials. Always check the suitability of using the steam mop on a surface by carrying out a preliminary test on a hidden area.

WINDOW CLEANING CORAL CLOTH

Use it to clean windows, mirrors and glass.

For use of Coral Cloth, it must be attached over to #4 Window Cleaner squeegee which should first be attached to the top of #3 Garment/Window Tool. when installing the cleaning cloth. Make sure to attach the cloth to over the Cleaning Tool Frame to avoid slipping from the frame during use.

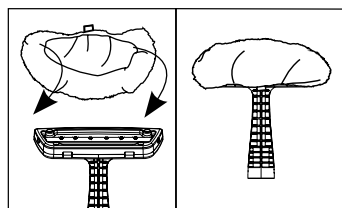
Do not use steam on frozen windows.
Be careful when using the steamer on glass, as the glass may break.



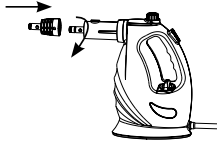
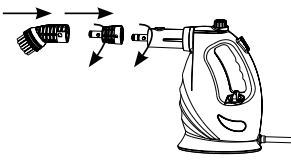
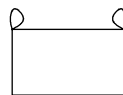

GARMENT CLOTH

To steam a garment, place item of clothing on a hanger and steam the garment directly.
Slowly slide the Garment Steamer Head vertically over the garment to smooth the fabric and remove wrinkles and odors.
For use of Garment Cloth, it must be attached over #3 Garment Tool.

Some fabrics like leather, suede, and velvet may not be suitable for steaming. Please refer to the manufacturer's care label.
Curtains and draperies can be steamed while hanging.



ADDITIONAL OPTIONAL ACCESSORY USAGE

PART AND USAGE	ASSEMBLY	TIPS/CAUTION
SHORT NOZZLE For general steam cleaning.	Attach to the Steam Outlet of the main unit, twist to lock. 	Make sure the Nozzle is locked into place.
ROUND BRUSH The Round Brush is great for cleaning smooth hard surfaces, such as toilets, sinks, and kitchen counters, etc. It can be used with soap or detergent to clean dirty areas.	Attach the Round Brush by twisting onto the end of the Jet Nozzle. 	
STORAGE BAG		
MEASURING CUP		

AFTER USE

1. Unassemble each accessory when finished cleaning. Disconnect the power supply and pour out the remaining water in the Water Tank. Allow the steam cleaner to cool down for 3 to 5 minutes.
2. Remove the Mop Cloth (**CAUTION: Accessories may still be hot**) and clean in washing machine or by hand.
3. Store the steam cleaner in a dry location away from direct sunlight.
TIP: To ensure top performance, it is recommended to replace the Mop Cloth every 2-3 months.

⚠ WARNING To avoid damage to the Mop Cloth, do not twist forcibly.

⚠ WARNING To avoid calcification of the heating element, disconnect the power supply after the steam stops (when the green indicator is on).

CLEANING & MAINTENANCE

DISCONNECT THE UNIT FROM THE POWER OUTLET DURING CLEANING AND MAINTENANCE.

⚠ WARNING

DO NOT IMMERSE THE H2O XCL™ HANDHELD STEAMER IN WATER.

Cleaning procedure to remove lime scale

If your H2O XCL™ begins to produce steam slower than usual or stops producing steam, you may need to remove lime scale. It is necessary to remove lime scale on a regular basis, every 25 times you use a full tank of water or once a month, especially in areas with hard water. To remove lime scale from your H2O XCL™, please follow these instructions:

Using a cleaning solution

1. Prepare a solution of 1/3 white vinegar and 2/3 water and add to the Water Tank.
2. Ensure that steam released is aimed away from any surrounding objects.
Turn it ON and allow the unit to produce steam until the vinegar/water solution is used up.
3. Repeat the above procedure as many times as necessary until a normal steam flow is achieved.
4. Fill the Water Tank with fresh water and rinse out.
5. Fill the Water Tank with fresh water again, and release steam through the system until the Water Tank is empty.
6. Perform a test cleaning on a suitable isolated area after each lime scale removal to ensure that there is no debris left in the system.

Clean calcium deposits building up inside the Water Tank:

Add 1-2 tablespoons of white vinegar to a full Water Tank, close the Water Tank Cap and shake the contents. **DO NOT TURN THE APPLIANCE ON.** Let the unit sit for a few hours.

Empty the Water Tank and rinse with clean water until it rinses clear.

Cleaning blocked steamer accessories:

Due to the high mineral content of water in some areas, some calcium buildup might develop inside the tip of the Nozzle. To clean, it is recommended to use a spray lubricant. Spray a small burst or two of the lubricant inside the tip of the Nozzle. After spraying the lubricant, fill the steamer with water and run a continuous jet of steam through the affected accessory for several minutes to remove the deposit.

IT IS RECOMMENDED PERFORMING THIS PROCEDURE IN A PROTECTED AND WELL-VENTILATED AREA.

TROUBLESHOOTING GUIDE

PROBLEM	POSSIBLE CAUSE
The unit does not power on	The unit is not plugged in or turned ON
Reduced steam or no steam	Water Tank is empty
	Blocked Steam Nozzle
	Lime scale deposit
Steam escapes from connections	Attachment is improperly connected
	Debris or obstructions at the connection points
SOLUTION	
Make sure the ON/OFF Switch is ON (red indicator light is on)	
Fill Water Tank	
Clean the Nozzle	
Follow cleaning procedure to remove lime scale	
Unplug the unit, allow it to cool down, detach the accessories and reattach them properly	
Remove the accessory and check and clean connection points	

TIPS

⚠ IMPORTANT

- Remember to remove lime-scale at least once a month, especially in areas with hard water.
- Please follow instructions provided in this User's Guide.
- Use filtered or distilled water for better performance.