



Distributed by:

Thane Canada Inc.
Mississauga ON L4W 5M6, Canada
www.thane.ca

Thane USA, Inc.
PO BOX 35526, Canton OH 44735, U.S.A.
www.thane.com

Thane Direct UK Limited
3 Acorn Business Centre, Northharbour Road,
Portsmouth, PO6 3TH
www.thane.tv

Danoz Direct Pty Ltd.
Chipping Norton, NSW 2170, Australia
www.danoz.com.au

TVNS Scandinavia AB
SE-211 34 Malmö, Sweden
www.tvns.com

© 2022 Thane IP Limited.

"Thane", "H2O iGO" and related logos and variations are trademarks or registered trademarks, in Canada and/or other countries, of Thane IP Limited and/or its affiliated companies.

MADE IN CHINA



H2O iGO™

H2O iGO MNL ENG R0 220506

HYBRID Steam Mop

User's Manual



Model No.: KB-089

Thank You!

Congratulations on your choice of the H2O iGO™ Hybrid Steam Mop; a revolutionary new steam cleaning appliance, that offers cordless and corded use of a powerful steam cleaner.

The H2O iGO™ Hybrid Steam Mop cleaning is effective, easy and far more hygienic than conventional cleaning methods. Simply by converting water to steam and using a Microfiber Cloth to enhance absorbency, dirt and grime can be eliminated in a matter of seconds.

Cleaning with the H2O iGO™ Hybrid Steam Mop is also environmentally friendly, as it uses active power of steam without the use of chemicals or detergents. Regular steam cleaning helps destroy dust mites, and some types of fungus and mildew. It is proven to kill up to 99% of certain germs, viruses and bacteria.

We want you to get the most from your H2O iGO™ Hybrid Steam Mop, so we'd like to encourage you to read this User's Manual before first use. It will tell you everything you need to know about your H2O iGO™ Hybrid Steam Mop while giving you tips for fast, effective steam cleaning that will leave your home exceptionally clean.

Thank you again for trusting the H2O™ brand from Thane™!

Thane™ and its affiliated companies assume no liability for personal injury or property damage resulting from the misuse of the H2O iGO™ Hybrid Steam Mop, including the failure to comply with the instructions contained in this User's Guide or provided by the manufacturer or distributor of the treated surface.

IMPORTANT SAFETY INFORMATION

READ ALL INSTRUCTIONS BEFORE USING THIS STEAM CLEANER

Contents

IMPORTANT SAFEGUARDS	5 - 8
PARTS DIAGRAM	6
HOW TO ASSEMBLE YOUR H2O iGO™ HYBRID STEAM MOP	10 - 11
TIPS AND CAUTIONS BEFORE FIRST USE	12 - 13
HOW TO USE YOUR H2O iGO™ HYBRID STEAM MOP	14 - 22
• FILLING THE WATER TANK	14
• TURNING YOUR UNIT ON - INSTRUCTIONS FOR CORDED USE	16 - 17
• TURNING YOUR UNIT ON - INSTRUCTIONS FOR CORDLESS USE	18 - 20
• TURNING YOUR UNIT ON - INSTRUCTIONS FOR QUICK RECHARGE FOR CORDLESS USE	20
• START CLEANING	21 - 22
AFTER USE	23
CLEANING AND MAINTENANCE	24
TROUBLESHOOTING GUIDE	25

Important Safeguards

PLEASE READ ALL PRODUCT INSTRUCTIONS CAREFULLY. FAILURE TO FOLLOW THE PRODUCT INSTRUCTIONS WILL VOID YOUR WARRANTY.

USE YOUR H2O iGO™ HYBRID STEAM MOP ONLY AS DIRECTED IN THIS MANUAL AND ONLY WITH THE MANUFACTURER'S RECOMMENDED ACCESSORIES. USE OF ATTACHMENTS OR ACCESSORIES NOT PROVIDED OR SOLD BY THE MANUFACTURER OR BY AUTHORIZED RESELLERS MAY CAUSE FIRE, ELECTRIC SHOCK OR INJURY.


AS WITH ANY ELECTRICAL APPLIANCES, BASIC PRECAUTIONS SHOULD ALWAYS BE OBSERVED WHEN USING THIS PRODUCT, INCLUDING THE FOLLOWING:

1. Read all instructions before operation of the unit.
2. Always follow ALL safety precautions and User's Manual directions when working with H2O iGO™ Hybrid Steam Mop.
3. Verify that the voltage indicated on the adapter rating label corresponds with the voltage of your electrical outlet.
4. In order to protect against risk of electric shock, only plug this appliance into properly grounded electrical outlets and only use the Power Cord provided with the appliance.
5. The H2O iGO™ Hybrid Steam Mop is designed for household use only. Do not use it for anything other than its intended use. Commercial use of this appliance voids the manufacturer's warranty.
6. Do NOT use this appliance outdoors when connected to an electrical outlet receptacle.
7. Keep this appliance and its Power Cord out of the reach of children anytime it is plugged in, even if it is cooling down use. Children should always be supervised to ensure that they do not come in contact with or play with this appliance.
8. The H2O iGO™ Hybrid Steam Mop is not a toy. Children shall not play with this appliance.
9. Close attention is necessary when this appliance is used near children, pets, plants or electrical outlets. To reduce risk of injury from hot steam, never direct the steam towards people, animals, plants or electrical outlets.

Important Safeguards - continued

10. DANGER OF SCALDING! Keep face and all exposed skin away from the steam coming out of the unit.
11. Caution must always be exercised as surfaces are liable to get hot during use.
12. This appliance can be used by persons with reduced physical, sensory or mental capabilities or lack of experience and knowledge ONLY IF they have been given supervision or instruction concerning use of the appliance in a safe way and understand the hazards involved.
13. Cleaning and user maintenance shall not be made by persons with reduced physical, sensory or mental capabilities or lack of experience unless they are supervised by a responsible adult.
14. Never attempt to remove the Safety Lid to open the Water Tank while the unit is in use or while the Power Switch (O/I) is in the "ON" position (I) and there is still pressure inside the Water Tank. The instructions on how to properly refill the Water Tank that are in this manual must always be followed. Failure to do this may result in personal injury and/or scalding.
15. Do not handle the plug or the H2O iGO™ Hybrid Steam Mop with wet hands or operate without shoes. Do not immerse the unit in water or other liquids. The liquid or steam should not be directed towards equipment containing electrical components, such as the interior of ovens.
16. Do not use H2O iGO™ Hybrid Steam Mop with a damaged Power Cord or plug. If the unit is not working as it should, or if it has been dropped, damaged, left outdoors, or immersed in water, return it to the distributor.
17. If the Power Cord is damaged, it must be replaced by the manufacturer or its service agent or a similarly qualified person in order to avoid a hazard.
18. Stop using the H2O iGO™ Hybrid Steam Mop if you observe water leakage, and contact a qualified technician.
19. The H2O iGO™ Hybrid Steam Mop is not to be used if it has been dropped, if there are visible signs of damage or if it is leaking. Do not operate this appliance if it, or any of its parts, have been damaged in any way or are not functioning properly. Some examples include:
 - a. When the unit is plugged in, the main Power Switch (I/O) is turned to the "ON" position (I) but the Indicator Light doesn't turn ON (red or green) or the Indicator Light turns blank during operation, this means that the unit is not working properly and should be discarded.

Important Safeguards - continued

- b. When the unit is plugged in, the main Power Switch (O/I) is in the "ON" position (I), the Water Tank is full, the Safety Lid is completely closed and the Steam Valve Dial is turned to the  symbol., the Indicator Light should turn green after 10 minutes or sooner. If the Indicator Light doesn't turn green even after 15 minutes, this means that the unit is not working properly.
Immediately turn the main Power Switch (O/I) to the "OFF" position (O) and unplug the unit. This unit is not safe for use and should be discarded.
 - c. This unit is equipped with a Safety Pressure Relief Valve that will release some steam through the Safety Lid in the event that the unit is not working properly and the internal pressure is higher than it should be. If this happens, immediately turn the main Power Switch (O/I) to the "OFF" position (O) and unplug the unit. This unit is not safe for use and should be discarded.
 - d. If steam is coming out from the Steam Valve, Power Switch, Water Level Indicator or from anywhere else on the unit except the Steam Nozzle at the bottom of the Mop Head, immediately stop using this unit and discard it.
- 20. Do not leave the H2O iGO™ Hybrid Steam Mop unattended while it is plugged in.
 - 21. To reduce the risk of electric shock, always unplug the H2O iGO™ Hybrid Steam Mop after each use, before cleaning or carrying out any other user maintenance.
 - 22. Before removing the Microfiber Cloth from the H2O iGO™ Hybrid Steam Mop Head, turn the unit off, unplug it and make certain that steam is no longer coming from the Mop Head.
 - 23. In order to unplug the H2O iGO™ Cordless Steam Mop safely, press the Power Switch (I/O) to the "OFF" position (O), grasp the plug and gently pull from the outlet. Do not unplug the unit by pulling on the cord.
 - 24. Do not insert any objects into openings in the unit or use it with any of its openings blocked.
 - 25. Never force the plug into an electric outlet or pull or carry the unit by the Power Cord. Do not use the Power Cord as a handle, close a door on it or pull it around sharp edges or corners. Keep the Power Cord away from heated surfaces.
 - 26. Do not use extension cords or electrical outlets with inadequate current-carrying capacity, and in order to avoid circuit overload, do not operate another appliance on the same socket (circuit) as the H2O iGO™ Hybrid Steam Mop.

Important Safeguards - continued

- 27. Store your H2O iGO™ Hybrid Steam Mop indoors in a cool and dry place. Never leave the H2O iGO™ Hybrid Steam Mop outdoors.
- 28. Keep your work area well lit and use extra caution when using on stairs.
- 29. Do not use the H2O iGO™ Hybrid Steam Mop without water in the Water Tank, and do not use the Mop Head without first attaching the Microfiber Cloth.
- 30. Never put hot water or liquids such as alcohol-based or detergent products into the Water Tank. This will make operation unsafe, damage the unit and will void the manufacturer's warranty.
- 31. Do not add any liquid other than water to the Water Tank and make sure not to overfill the Water Tank or you will cause damage to the unit and void the manufacturer's warranty. The Water Tank maximum capacity is 1000ml/33.8oz.
- 32. Always keep the steam opening clear of any obstructions. Avoid placing the steam opening on soft surfaces to avoid blocking the flow of steam. Keep the steam opening free from lint, hair and other potential obstructions to ensure proper steam flow.
- 33. Do not use the H2O iGO™ Hybrid Steam Mop in spaces that are exposed to flammable, explosive or toxic vapor such as paint thinner or oil-based paint.
- 34. Do not use on leather, wax-polished furniture or floors, unsealed hardwood or parquet floors, unglazed ceramic floors, synthetic fabrics, velvet or other delicate steam-sensitive materials.
- 35. Do not use the H2O iGO™ Hybrid Steam Mop for space heating purposes or place it on or near hot surfaces such as a hot gas or electric burner, or in a heated oven.

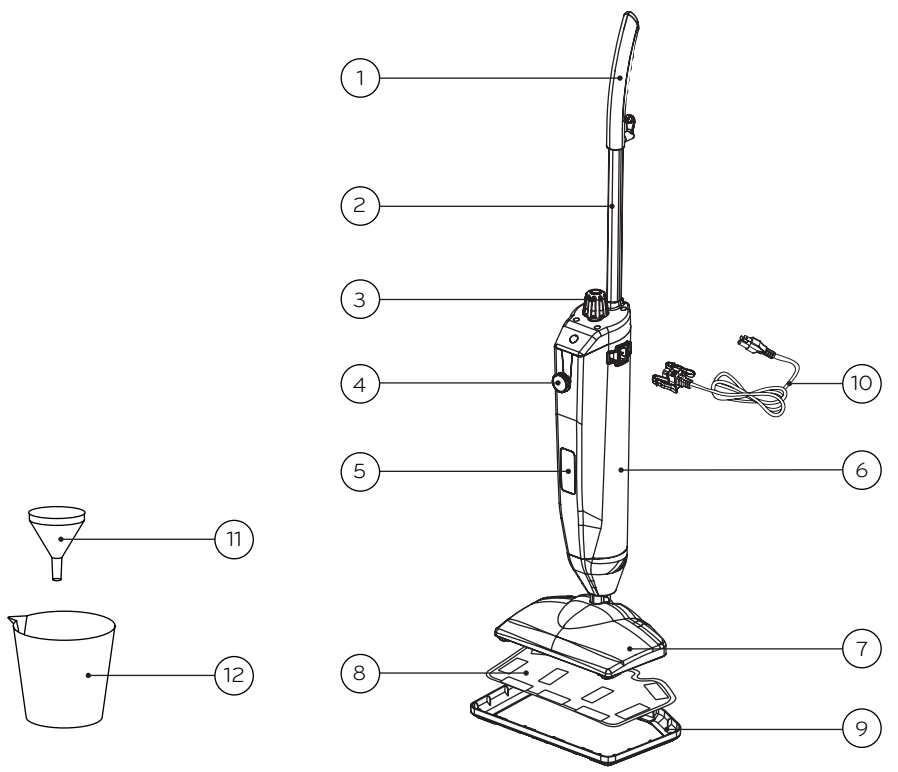


DANGER OF SCALDING

**HOUSEHOLD USE ONLY
SAVE THESE INSTRUCTIONS**

H2O iGO™ Hybrid Steam Mop Parts Diagram

1. Curved Handle
2. Extension Handle
3. Safety Lid
4. Steam Valve Dial
5. Water Indicator Level
6. Unit Body
7. Mop Head
8. Microfiber Cloth
9. Carpet Glider
10. Power Cord
11. Funnel
12. Measuring Cup (300ml/10.14oz)



How to Assemble Your H2O iGO™ Hybrid Steam Mop

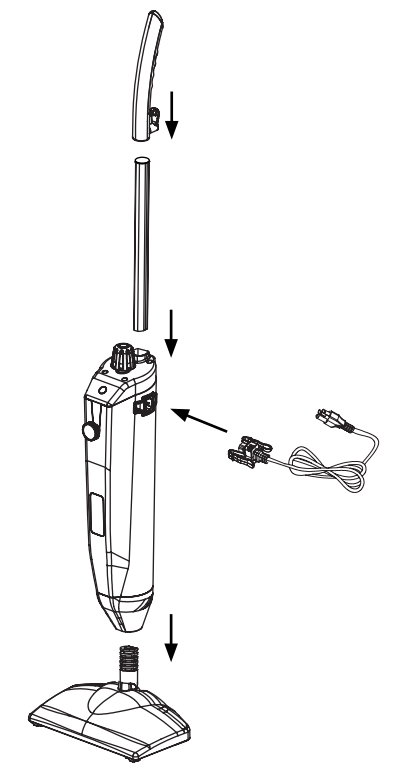
⚠ WARNING Make sure that the H2O iGO™ Hybrid Steam Mop is unplugged from the electrical outlet and the Power Switch (O/I) is in the "OFF" position (O) before assembly.

STEP 1: Remove the unit from the box, and make sure all parts from the diagram above are included.

STEP 2: Attach the Curved Handle to the Extension Handle by inserting the top end of the Extension Handle to the bottom end of the Curved Handle. Make sure to align the button on the top end of the Extension Handle with the hole on the bottom end of the Curved Handle so that it clicks into place.

STEP 3: Attach the bottom end of the Extension Handle to the top of the Unit Body. Make sure to align the button on the bottom end of the Extension Handle with the hole on top of the Unit Body so that it clicks into place.

STEP 4: Attach the Mop Head to the bottom part of the Unit Body. Make sure that the Unit Body and Mop Head are facing the same way so that they can be secured to each other properly. The Mop Head will click into place.



How to Assemble Your H2O iGO™ Hybrid Steam Mop - continued

STEP 5: Insert the Power Cord into the Cord Lock Slot located on the side of the Unit Body.

NOTE: The diagram below shows how the above-mentioned parts should be assembled. The unit can be used with or without the Power Cord but it is needed in both cases at the beginning in order to get the water in the Water Tank heated up and to increase pressure to create steam. Once the water is heated enough and enough internal pressure is created, the Power Cord can be removed for cordless option.

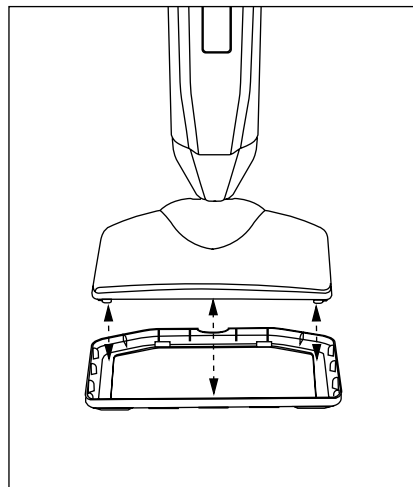
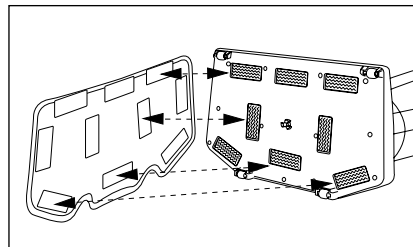
STEP 6: Attach the Microfiber Cloth to the Mop Head by placing the cloth under the Mop Head. Align the fastening strips on the Microfiber Cloth with the gripping strips on the bottom of the Mop Head, then press to fit together.

STEP 7: When using the H2O iGO™ Hybrid Steam Mop on carpeting or rugs, place the Mop Head, with the Microfiber Cloth in place, on top of the Carpet Glider, as illustrated in the diagram below.

CAUTION Do not attempt to use the H2O iGO™ Hybrid Steam Mop on carpeting or rugs without the Carpet Glider in place.

WARNING Never use the Carpet Glider on surfaces that are prone to scratching.

STEP 8: Make sure all the parts are secured firmly to each other before use.



Tips and Cautions Before First Use

The H2O iGO™ Hybrid Steam Mop is designed to thoroughly steam clean floor surfaces, such as marble, ceramic, carpet, stone, linoleum, sealed hardwood floors and parquet. Here are some tips and cautions to keep in mind before first use:

- Sweep or vacuum the floor prior to steam cleaning it with the H2O iGO™ Hybrid Steam Mop.
- To avoid puddling of water, the Microfiber Cloth must be clean and dry for each use.
- To help sanitize an area of the floor, leave the H2O iGO™ Hybrid Steam Mop at a High Steam power level over the area for about 10 seconds, but no longer than 15 seconds.

CAUTION Do not carry out this procedure on heat and steam sensitive floors.

- Never steam on one spot for too long. This can cause floor surface damage, especially if the floor is heat sensitive.
- Not all floor types are suitable for steam cleaning. Always check the use and care instructions of your flooring manufacturer or distributor before using the H2O iGO™ Hybrid Steam Mop. When in doubt, consult a flooring specialist.
- The force and heat of the steam may adversely affect certain materials. It is recommended to always check the suitability of using steam on a surface by carrying out a preliminary test on a small isolated area of your flooring prior to overall use on floor surfaces.

CAUTION The heat and steam action may remove the wax on surfaces treated with wax. Do not let the unit stand on any wood or heat-sensitive floors for an extended period of time.

CAUTION Water marks, discoloration or damage to the floor surface can occur if the unit is left operating too long in one place.

Tips and Cautions Before First Use - continue

CAUTION When using on vinyl, linoleum or any other heat-sensitive floors, use extra caution. Too much heat can melt glue in the flooring. Use only on laminated flooring that has been laid professionally and without any gaps or cracks that would permit the entry of moisture.

- There may be some minor "spitting" of water mixed with the steam. This is normal
- The H2O iGO™ Hybrid Steam Mop is designed to be used in an upright and/or angled position. If, during use, it is placed in the horizontal position, with the Steam Valve facing the floor, then the steam will be mixed with lots of spitting water.

How to Use Your H2O iGO™ Hybrid Steam Mop

FILLING THE H2O iGO™ HYBRID STEAM MOP WATER TANK

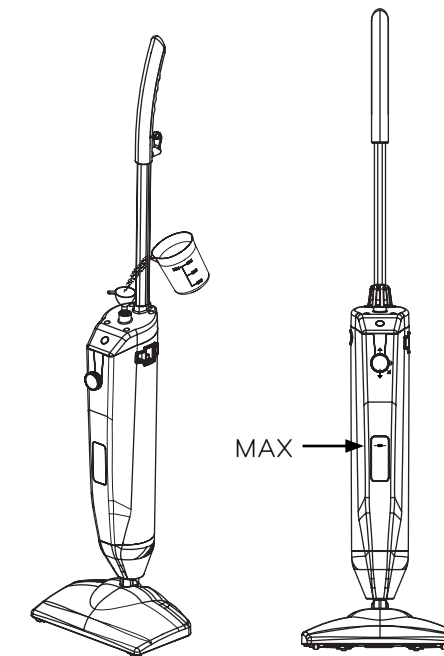
1. Ensure that the H2O iGO™ Hybrid Steam Mop unit is unplugged.
2. Open the Water Tank by unscrewing the Safety Lid.
NOTE: The Safety Lid is pressure sensitive and can be removed ONLY when the Water Tank is not pressurized.
3. Add water by using the Funnel and Measuring Cup provided with the unit. Do not overfill. Tank capacity is 1000ml/33.8oz. Use the MAX capacity indicator line on the Water Tank to make sure the Water Tank is not overfilled. A full tank should be filled with three Measuring Cups (3 x 300ml/10.14oz), plus an additional 100ml/3.38oz.

NOTE: In areas with hard water, distilled water can be used for better performance.


CAUTION Never put hot water or liquids such as alcohol-based or detergent products into the Water Tank. This will make operation unsafe and damage the unit.

CAUTION Do not add anything except water to the Water Tank or you will cause damage and void the manufacturer's warranty.

CAUTION Do not add any liquid other than water to the Water Tank and make sure not to overfill the Water Tank or you will cause damage to the unit and void the manufacturer's warranty. The Water Tank maximum capacity is 1000ml/33.8oz.




How to Use Your H2O iGO™ Hybrid Steam Mop - continued

4. Screw the Safety Lid back on, ensuring it is screwed on all the way. It is fully closed after 9.5 turns.
5. Make sure that the Steam Valve Dial turned to the  symbol.
6. Once the unit has been fully assembled and filled with water, place the Microfiber Cloth onto the Mop Head, make sure the Power Cord is attached to the Unit Body and plug the Power Cord into a grounded electrical outlet.

CAUTION When the Water Tank has water in it, always keep the unit upright as it may leak if it is set down on its side. The unit can be locked into vertical position if the Unit Body is pushed forward until it clicks into place at the connection point with the Mop Head.


How to Use Your H2O iGO™ Hybrid Steam Mop - continued

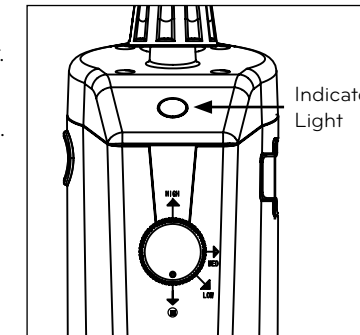
TURNING YOUR UNIT ON - INSTRUCTIONS FOR CORDED USE

1. Make sure the Power Cord is attached to the Unit Body and plugged into an electrical outlet.
2. Make sure that the Steam Valve turned to the  symbol.
3. Turn the Power Switch (O/I) to the "ON" position (I). This will turn the red Indicator Light on.
4. The heater is controlled by a pressure switch. Once the desired internal pressure of 3.5bar is reached, the pressure switch will shut the heater off and the Indicator Light will turn green. This means your unit is ready to be used.
5. When the pressure drops below 2.8bar, the Indicator Light will turn red again, which will turn the heater back on until the green light turns back on again.

NOTE: The above steps 3 and 4 will frequently repeat as long as the unit is plugged into an electrical outlet and the Power Switch (I/O) is in the "ON" (I) position.

WARNING When the unit is plugged in, the Power Switch (I/O) is turned to the "ON" position (I) but the Indicator Light doesn't turn ON (red or green) or the Indicator Light turns blank during operation, this means that the unit is not working properly and should be discarded.

WARNING When the unit is plugged in, the main Power Switch (O/I) is in the "ON" position (I), the Water Tank is full, the Safety Lid is completely closed and the Steam Valve turned to the  symbol. the Indicator Light should turn green after 10 minutes or sooner. If the Indicator Light doesn't turn green even after 15 minutes, this means that the unit is not working properly. Immediately turn the main Power Switch (O/I) to the "OFF" position (O) and unplug the unit. This unit is not safe for use and should be discarded



How to Use Your H2O iGO™ Hybrid Steam Mop - continued

6. To start cleaning and for steam to be released, turn the Steam Valve Dial to your desired level. The H2O iGO™ Hybrid Steam Mop has 3 steam settings: low, medium and high. Select one of the Steam Valve positions as needed:

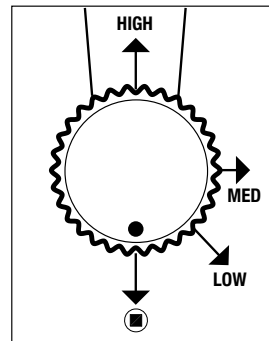
- Low Steam (LOW Marking on the Unit Body): Ideal for prolonged use on sensitive surfaces such as sealed hardwood/laminate, for which the Medium Steam setting can also be used.
- Medium Steam (MED Marking on the Unit Body): Ideal for light cleaning of granite, marble, tile and slate.
- High Steam (HIGH Marking on the Unit Body): Ideal for tougher stains on hard floors, carpets and door mats or whenever you need short steam blasts.

NOTE: Steam run time varies between corded and cordless use. It also varies based on the chosen Steam Valve level as well as the voltage of the unit. A corded H2O iGO™ Hybrid Steam Mop can run anywhere from 40 to 80 minutes.

⚠ WARNING This unit is equipped with a Safety Pressure Relief Valve that will release some steam through the Safety Lid in the event that the unit is not working properly and the internal pressure is higher than it should be. If this happens, immediately turn the main Power Switch (O/I) to the "OFF" position (O) and unplug the unit. This unit is not safe for use and should be discarded.

⚠ WARNING If steam is coming out from the Steam Valve, Power Switch, Water Level Indicator or from anywhere else on the unit except the Steam Nozzle at the bottom of the Mop Head, immediately stop using this unit and discard it.

⚠ WARNING Never leave the H2O iGO™ Hybrid Steam Mop unattended while it is turned on and plugged in.



How to Use Your H2O iGO™ Hybrid Steam Mop - continued

TURNING YOUR UNIT ON - INSTRUCTIONS FOR CORDLESS USE

1. Make sure the Power Cord is attached to the Unit Body and plugged into an electrical outlet.

NOTE: Whether you plan to use the H2O iGO™ Hybrid Steam Mop with or without the Power Cord, the unit needs to be plugged into an electrical outlet so that the water is heated up and pressure is built up enough to be ready to steam.

2. Make sure that the Steam Valve Dial is turned to the  symbol.

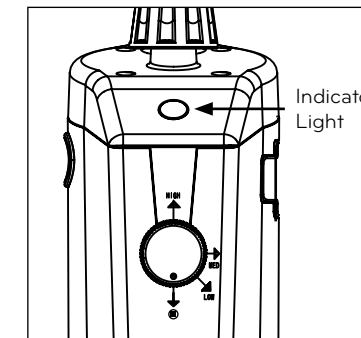
3. Turn the Power Switch (O/I) into the "ON" position (I). This will turn the red Indicator Light on.

4. The heater is controlled by a pressure switch. Once the desired internal pressure of 3.5bar is reached, the pressure switch will shut the heater off and the Indicator Light will turn green. This means your unit is ready to be used.

5. Now that enough heat and pressure has been generated to create steam, and the unit is ready to be used, the Power Cord can be disconnected from the unit for cordless steam cleaning.

NOTE: Once the Power Cord is unplugged from the electrical outlet, in order to use the unit in cordless mode, the Indicator Light will turn off and it will remain turned off the entire time the unit is used without being plugged into the electrical outlet again.

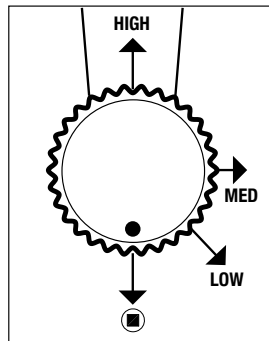
NOTE: When the H2O iGO™ Hybrid Steam Mop is used in cordless mode there will be no power supply, and therefore, the unit can only emit previously accumulated steam until it is depleted.



How to Use Your H2O iGO™ Hybrid Steam Mop - continued

6. To start cleaning and for steam to be released, turn the Steam Valve Dial to your desired level. The H2O iGO™ Hybrid Steam Mop has 3 steam settings: low, medium and high. Select one of the Steam Valve positions as needed:

- Low Steam (LOW Marking on the Unit Body): Ideal for prolonged use on sensitive surfaces such as sealed hardwood/laminate, for which the Medium Steam setting can also be used.
- Medium Steam (MED Marking on the Unit Body): Ideal for light cleaning of plastic, granite, marble, tile and slate.
- High Steam (HIGH Marking on the Unit Body): Ideal for tougher stains on hard floors, carpets and door mats or whenever you need short steam blasts.




NOTE: Steam run time varies between corded and cordless use. It also varies based on the chosen Steam Valve level, as well as the voltage of the unit. A cordless H2O iGO™ Hybrid Steam Mop can last for 6-11 minutes at one time. You can get additional run time with the Quick Recharge feature that is available for cordless use. For details on how to quickly recharge your unit while it is in cordless mode, please see below "Instructions for Quick Recharge for Cordless Use".

WARNING This unit is equipped with a Safety Pressure Relief Valve that will release some steam through the Safety Lid in the event that the unit is not working properly and the internal pressure is higher than it should be. If this happens, immediately turn the main Power Switch (O/I) to the "OFF" position (O). This unit is not safe for use and should be discarded.

WARNING If steam is coming out from the Steam Valve, Power Switch, Water Level Indicator or from anywhere else on the unit except the Steam Nozzle at the bottom of the Mop Head, immediately stop using this unit and discard it.

How to Use Your H2O iGO™ Hybrid Steam Mop - continued


WARNING Never leave the H2O iGO™ Hybrid Steam Mop unattended while it is turned on.

7. To stop emitting steam, turn the Steam Valve Dial to the  symbol, then press the Power Switch (I/O) to the "OFF" position (O).

NOTE: Make sure to turn the unit off after each use.

TURNING YOUR UNIT ON - INSTRUCTIONS FOR QUICK RECHARGE FOR CORDLESS USE

If you want to continue cleaning after all accumulated steam is depleted in cordless mode you can quickly recharge the H2O iGO™ Hybrid Steam Mop up to two times without opening the Safety Lid and refilling the Water Tank by following these steps:

1. Attach the Power Cord to the socket on the Unit Body and plug it into an electrical outlet.
2. Make sure that the Steam Valve Dial is turned to the  symbol."
3. Turn the Power Switch (O/I) to the "ON" position (I). This will turn the red Indicator Light on.
4. Once the desired internal pressure of 3.5bar is reached, the pressure switch will shut the heater off and the Indicator Light will turn green. This means your unit is ready to be used again.
5. Detach the Power Cord from the socket on the Unit Body, unplug it from the electrical outlet and continue to use the H2O iGO™ Steam Cleaner in Cordless mode.

NOTE: Please remember that once the Power Cord is unplugged from the electrical outlet, the Indicator Light will turn off and it will remain turned off the entire time the unit is used without being plugged into the electrical outlet again.

NOTE: It takes approximately 3 minutes to quickly recharge the H2O iGO™ Hybrid Steam Mop if you do it immediately after you stop steaming after the initial charge.

CAUTION Do not Quick Recharge the H2O iGO™ Hybrid Steam Mop more than two times without refilling the Water Tank.

How to Use Your H2O iGO™ Hybrid Steam Mop - continued

START CLEANING

- Slowly pass over the surface that needs to be cleaned. The super absorbent Microfiber Cloth will pick up any dirt loosened by the steam.

NOTE: The H2O iGO™ Hybrid Steam Mop is designed to be used in an upright and/or angled position. If, during use, it is placed in the horizontal position, with the Steam Valve facing the floor, then the steam will be mixed with lots of spitting water.

⚠ WARNING DANGER OF SCALDING! Keep face and all exposed skin away from the steam coming out of the unit.

⚠ WARNING To reduce risk of injury or scalding from hot steam, never direct the steam towards people, animals, plants or electrical outlets.

⚠ WARNING Do not put hands or feet under the steam mop. The unit gets very hot.

- Adjust the steam level as needed by turning the Steam Valve Dial accordingly.

⚠ WARNING Never attempt to remove the Safety Lid to open the Water Tank while the unit is in use or while the Power Switch (O/I) is in the "ON" position (I) and there is still pressure inside the Water Tank.

How to Use Your H2O iGO™ Hybrid Steam Mop - continued

- If the H2O iGO™ Hybrid Steam Mop stops producing steam during use, simply turn the unit off by pressing the Power Switch (O/I) to the "OFF" position (O), unplug it from the electrical outlet (if using the corded version) and refill the Water Tank, as instructed below, to continue cleaning.

NOTE: The Safety Lid can be removed ONLY when the Water Tank is not pressurized.

1. Turn the Steam Valve Dial to High Steam position and wait until all steam/pressure is released.
2. Once the Water Tank is depressurized the Safety Lid can be removed.
3. Add water by using the Funnel and Measuring Cup provided with the unit. Do not overfill. Tank capacity is 1000ml/33.8oz. Use the MAX capacity indicator line on the Water Tank to make sure the Water Tank is not overfilled.

⚠ WARNING The above instructions on how to properly refill the Water Tank must always be followed. Failure to do this may result in personal injury and/or scalding.

⚠ WARNING Caution must be exercised as surfaces are liable to get hot during use.

- Replace the Microfiber Cloth if it gets too wet or dirty. To avoid accumulation of excess water, and for best cleaning results, the Microfiber Cloth must be clean and dry before use. To replace the Microfiber Cloth, let it cool down, then remove it from the unit and replace it with a new Microfiber Cloth (available for purchase separately) and continue use.

⚠ WARNING Before removing or replacing the Microfiber Cloth from the H2O iGO™ Hybrid Steam Mop Head, press the Power Switch (I/O) to the "OFF" position (O), unplug the unit from the electric outlet and make certain that steam is no longer coming from the Mop Head.

After Use

Always make sure the Water Tank is empty after use;

1. Turn the Power Switch (O/I) to the "OFF" position (O).
2. Release any residual steam/pressure from the Water Tank by turning the Steam Valve Dial to High Steam position.
3. Unplug the Power Cord from the electrical outlet (if using the corded version).
4. Make sure to remove the Mop Cloth before storage. Allow it to cool down before carefully removing the cloth.

⚠ CAUTION Before removing a Microfiber Cloth from the H2O iGO™ Hybrid Steam Mop, turn the unit off, unplug it from the electrical outlet (if using the corded version) and make certain that steam is no longer coming from the Mop Head.

5. Always empty the Water Tank at the end of each use and drain any left-over water or steam before storing.
6. Wrap the Power Cord around the Cord Hook on the Curved Handle.
7. Wipe all surfaces of the H2O iGO™ Hybrid Steam Mop with a soft cloth.
8. Store the unit in a protected and dry area.

Cleaning and Maintenance

⚠ CAUTION Always turn off and unplug the H2O iGO™ Hybrid Steam Mop when cleaning or performing any other user maintenance.

⚠ WARNING Do not handle the plug or the H2O iGO™ Hybrid Steam Mop with wet hands or operate without shoes. Do not immerse the H2O iGO™ Hybrid Steam Mop in water or other liquids.

- The H2O iGO Steam Mop Unit Body and Mop Head can be wiped down with a soft cloth if they get dirty. Never immerse the unit in water to clean it.
- The Microfiber Cloth can be machine washed at 60°C/140°F, but without bleach or fabric softener and should be left to air dry.
- The H2O iGO™ Hybrid Steam Mop does not require frequent maintenance cleaning with descaling solution in order to prevent limescale blockage. Therefore, it is enough to use regular water to clean the unit after use.
- It is possible to have some limescale form in the Water Tank, and in that case, the following instructions need to be followed. This process can be done once after every 25 uses of the full Water Tank or as often as once a month in areas with hard water.
 1. Add 1-2 tablespoons of white vinegar to a full Water Tank, close the Water Tank Safety Lid (all the way) and shake the contents. DO NOT TURN THE STEAMER ON.
 2. Let the unit sit for a few hours, then empty the Water Tank and rinse with clean water until it rinses clear.

Troubleshooting Guide

⚠ WARNING TO REDUCE THE RISK OF FIRE, ELECTRIC SHOCK OR INJURY, UNPLUG APPLIANCE FROM OUTLET BEFORE SERVICING.

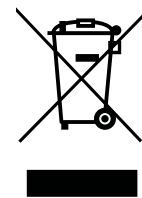
Problem	<ul style="list-style-type: none"> Indicator light does not turn green after 15 min. 	Additional Comments
Possible Cause	<ul style="list-style-type: none"> The unit may not be plugged into an operational electrical outlet. The unit may not be turned on. Water Tank may be empty. Safety Lid may not be fully closed 	
Solution	<ul style="list-style-type: none"> Make sure that the unit is plugged in and the used electrical outlet is operational. Verify that the Power Switch (O/I) is turned to the "ON" position ("I"). Check the water level indicator and make sure that the Water Tank is filled with water to "Max" line. Make sure that the Safety Lid is fully closed. <p>NOTE: The Safety lid should be turned in a clockwise direction, approximately 9.5 turns, in order to be fully closed</p>	
Problem	<ul style="list-style-type: none"> Some steam is released through the Safety Lid. 	If the Safety Lid is fully closed and some steam still escapes from the Safety Lid then the unit, immediately turn the main Power Switch (O/I) to the "OFF" position and unplug the unit from the electrical outlet. This unit is not functional or safe for use and should be discarded.
Possible Cause	<ul style="list-style-type: none"> Safety Lid may not be closed all the way. 	
Solution	<ul style="list-style-type: none"> Make sure that the Safety Lid is fully closed. <p>NOTE: The Safety lid should be turned in a clockwise direction, approximately 9.5 turns in order to be fully closed.</p>	

Troubleshooting Guide - continued

Problem	<ul style="list-style-type: none"> Indicator light does not turn red or green or it turns blank during operation. 	Additional Comments If neither of the suggested solutions solve the problem, immediately turn the main Power Switch (O/I) to the "OFF" position and unplug the unit from the electrical outlet. This unit is not functional or safe for use and should be discarded.
Possible Cause	<ul style="list-style-type: none"> The unit may not be plugged into an operational electrical outlet. The unit may not be turned on. 	
Solution	<ul style="list-style-type: none"> Make sure that the unit is plugged in and the used electrical outlet is operational. Verify that the Power Switch (O/I) is turned to the "ON" position ("I"). 	
Problem	<ul style="list-style-type: none"> Steam output is visibly decreasing during steaming cycle while the unit is in Cordless Mode. 	For short steam blasts of steam, turn the Steam Valve Dial to "HIGH" setting. For higher and continuous steam output, proceed with "Quick Recharge" process. Refer to "How to Use Your H2O iGO™ Hybrid Steam Mop" section of this manual.
Possible Cause	<ul style="list-style-type: none"> Not applicable because this is NORMAL. At the beginning of the steaming cycle steam output is very strong and it slowly diminishes until the unit stops emitting steam. 	
Solution	<ul style="list-style-type: none"> Not applicable because this is NORMAL. 	
Problem	<ul style="list-style-type: none"> Significantly reduced steam output or no steam while the unit is in Corded Mode. 	Not applicable.
Possible Cause	<ul style="list-style-type: none"> Water Tank may be empty. 	
Solution	<ul style="list-style-type: none"> Check the water level indicator and make sure that the Water Tank is filled with water to "Max" line. 	
Problem	<ul style="list-style-type: none"> The Mop Cloth is wet and heavy. 	Not applicable.
Possible Cause	<ul style="list-style-type: none"> The Mop Cloth is saturated with water because it has been used for too long. 	
Solution:	<ul style="list-style-type: none"> Remove the wet Mop Cloth and replace it with a new one (optional upsell item). OR Allow the Mop Cloth to cool down, then wring out and reattach to the Mope Head. 	

Troubleshooting Guide - continued

Problem	<ul style="list-style-type: none"> • Steam is coming out from Steam Valve, Power Switch, Water Level Indicator or any other point on the unit that is not the Mop Head. 	Additional Comments Not applicable.
Possible Cause Solution	<ul style="list-style-type: none"> • The unit is not functional and should be discarded. • Not applicable. If steam is coming out from the Steam Valve, Power Switch, Water Level Indicator or from anywhere else on the unit except the Mop Head, immediately turn the main Power Switch (O/I) to the "OFF" position and unplug the unit from the electrical outlet. This unit is not functional or safe for use and should be discarded. 	
Problem	<ul style="list-style-type: none"> • Unit is 'spitting' water during use. 	Not applicable.
Possible Cause Solution	<ul style="list-style-type: none"> • Check if the Steam Valve Dial is turned to "HIGH" setting It is not unusual for some water to spit out of the unit during use, especially when the Steam Valve Dial is turned to "HIGH" setting. • If you require just steam, turn the Steam Valve Dial down to a lower setting ("MED" or "LOW"). 	
Problem	<ul style="list-style-type: none"> • Unit leaking or spitting water after it has been unplugged from the electrical outlet. 	Not applicable.
Possible Cause Solution	<ul style="list-style-type: none"> • The unit was not turned off properly. • Make sure to switch off the unit by turning the Power Switch (O/I) to "OFF" position before unplugging it from the electrical outlet. 	



CORRECT DISPOSAL OF THIS PRODUCT

This marking indicates that this product should not be disposed with other household wastes throughout the EU. To prevent possible harm to the environment or human health from uncontrolled waste disposal, recycle it responsibly to promote the sustainable reuse of material resources. To return your used device, please use the return and collection systems or contact the retailer where the product was purchased. They can take this product for environmentally safe recycling.

Rating Info:

ETL: 120V, 60HZ, 1500W

CE: 220-240V, 50-60Hz, 1500W

UKCA: 220-240V, 50-60Hz, 1500W

